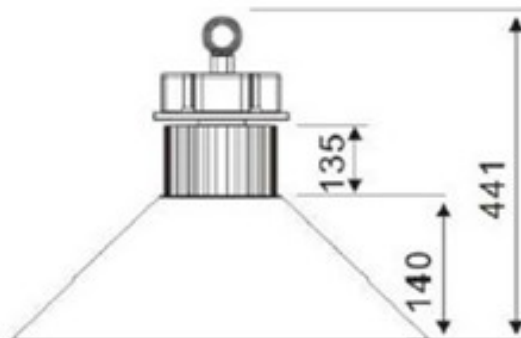
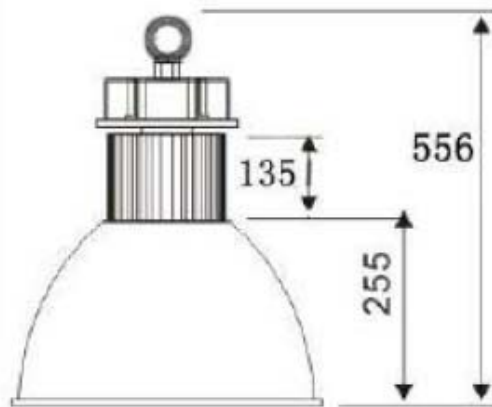

Specification

Product Name: LED high bay light

Item Number: MF-M80WP-001



**80w led high bay light
(beam angle 60° 90° 120° at customers' option)**

● **Technical parameter**

Voltage	AC85-220V	
Power frequency	50-60HZ	
THD	<9%	
Power factor	>98%	
LED Working Voltage	32-35v	
LED Power	80w	
Total Power	87w	
LED Efficiency	100-110LM/w	
Lamp Efficiency	80-90lm/w	
Average illumination	6 M Height	>250LUX
	8 M Height	>138LUX
	10 M Height	>89LUX
Average fclula	6 M Height	4.5M circular
	8 M Height	5.9M circular
	10 M Height	7.8M circular
Luminous flux	Warm white 2600-3500K	6500-7200LM
	Nature white 4000-4500K	7000-7500LM
	Daylight white 5500-6500K	7200-7600LM
	Pure white 7000K+	7000-7500LM
Color redering index	Ra>70	
Light distribution	Double reflector	
LED Junction Temperature	< 80 degree	
Ambient temperature	-40 to 50°C	
Stock temperature	-20 to 60°C	
Working temperature	70 °C	
Protection grade	IP65	
NW	5.2 KG	
Waterproof	IP65	
luminous decline	none within 3000 hours	

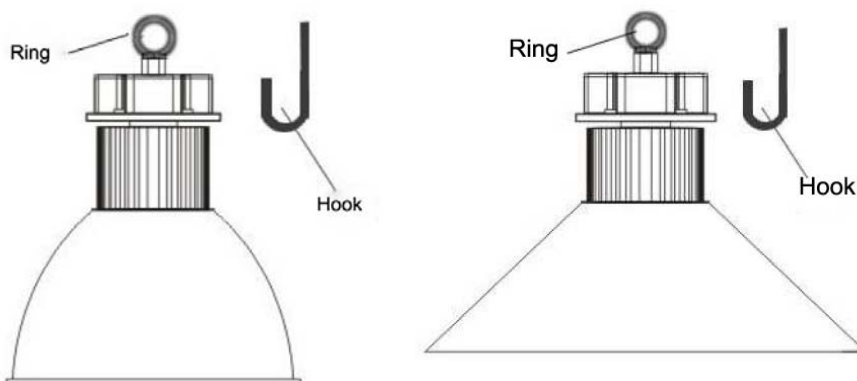
● Features

1. No glare, no light pollution, no double image and uniform brightness.
2. High power led **80W COB LED**.
3. Constant-current source, instant start, the electrical efficiency can achieve to 88% ,the max power factor is 98%,the power supply has passed CE, EMC, FCC, ETC, certifications.
4. The fin alluminum design, excellent in heat dissipation.
5. Use surface oxide reflector, closed to the illuminate, can improve the luminous efficiency.
6. High –pressure aluminum alloy lamp-housing, corrosion-resistant and anti-rust
7. Use sealing silicon to proof water, the water-proof grade can up to IP65.
8. Colorful. Can offer all kinds of colors as you request (red, green ,blue, yellow etc,)

● Applications:

Factory, gym, pier, billboards, buildings, plazas, lawns and other places need lighting project.

● Install introduction



1. When installing, the wire connections should be well sealed ,so that can prevent electricity leakage
2. when external power wire, Take appropriate measures to waterproof or water leakage
3. The lamp can not violate any regulations of fire prevention

● Quality warranty

Two years of quality warranty after leaving factory.

The guarantee range includes correct store, install, use and maintenance,Those installed improperly and contrary operation to cause the product damage, are out of the guarantee. During the warranty period ,for the quality problems, we will replace the parts or replace products freely. Beyond the period, it should be changed the appropriate cost of labor and parts.